

PALLET TRUCK  
**LOW PROFILE SERIES**  
APPLICATIONS



LOW FORK PROFILE



DURABLE STEEL ROLLERS



ADJUSTABLE PUSH BARS



EFFORTLESS PALLET  
ENTRY / EXIT



EXCLUSIVE

**2**  
year  
hydraulic pump

WARRANTY

**LIFT-RITE**®

## LOW & ULTRALOW PROFILE SERIES HAND PALLET TRUCKS

### Low Profile Series – Model L50M – 2" Fork lowered height

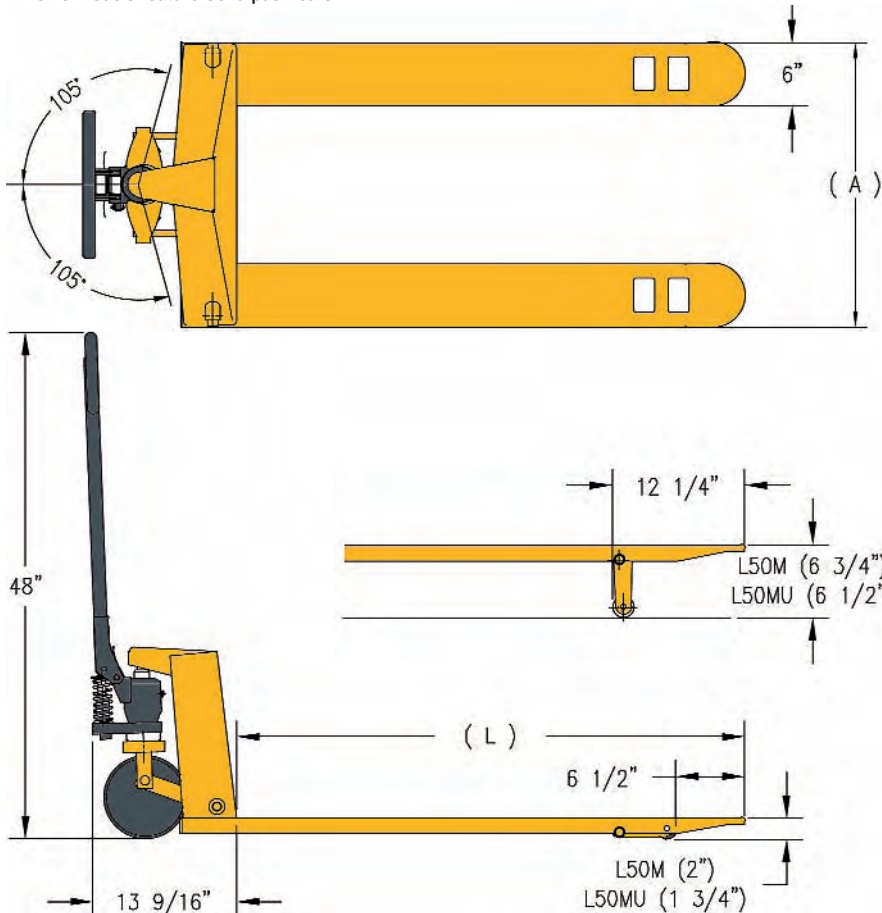
MODEL No.	CAPACITY (LBS.)	FRAME WIDTH (A) (IN.)	FORK LENGTH (L) (IN.)	FORK WIDTH (IN.)	WEIGHT (LBS.)
L50M-1	5000	27	36	6	155
L50M-2	5000	27	42	6	165
L50M-3	5000	27	48	6	175
L50M-10	5000	20.5	36	6	150
L50M-11	5000	20.5	42	6	155
L50M-12	5000	20.5	48	6	160

Low Profile Models feature heavy wall tubular push bars

### Ultralow Profile Series – Model L50MU – 1-3/4" Fork lowered height

MODEL No.	CAPACITY (LBS.)	FRAME WIDTH (A) (IN.)	FORK LENGTH (L) (IN.)	FORK WIDTH (IN.)	WEIGHT (LBS.)
L50MU-1	5000	27	36	6	155
L50MU-2	5000	27	42	6	165
L50MU-3	5000	27	48	6	175
L50MU-10	5000	20.5	36	6	150
L50MU-11	5000	20.5	42	6	155
L50MU-12	5000	20.5	48	6	160

Ultralow Profile Models feature Solid push bars



Other Lift-Rite model Hand pallet trucks available (Refer to Applications brochures for Specifications)

Standard Series – Model LR2055 – 3" Fork lowered height

Four Way Series – Models L50M-4WAY / L50MU-4WAY – Four way pallet entry trucks

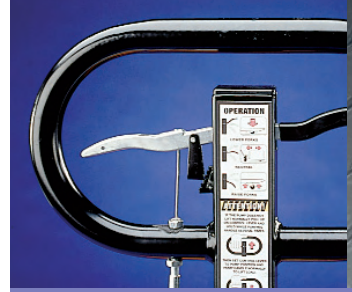
Freezer Special Series – Model L55F – Freezer / Condensation application trucks

Please contact your Authorized LIFT-RITE Dealer for special fork widths and lengths.

# LIFT-RITE®

Due to LIFT-RITE'S continuing product development program, specifications are subject to change without notice. Contact your Authorized LIFT-RITE Dealer to confirm the most recent specifications.

## OPTIONS & ACCESSORIES



DUAL-ACTION DRUM BRAKE



LOAD BACKREST



SKID ADAPTER



WHEELS AND ROLLERS

EXCLUSIVE

**2**  
year  
hydraulic pump

WARRANTY